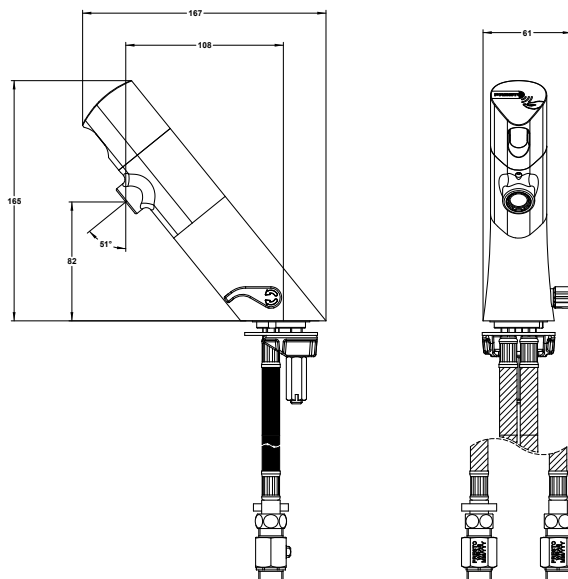
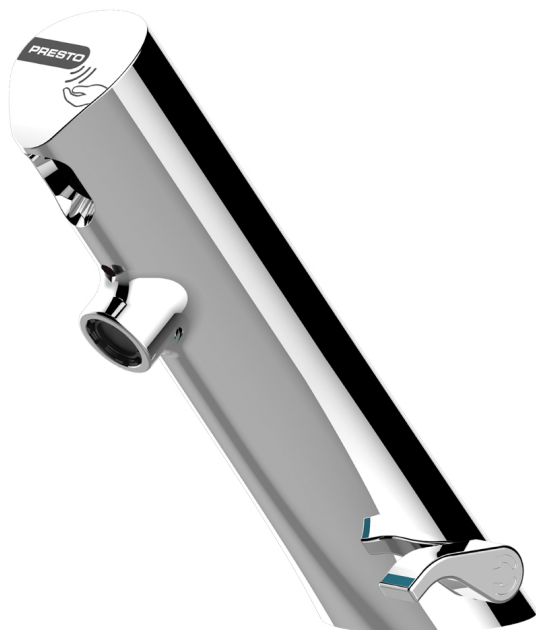


# TECHNICAL DATA SHEET

# PRESTO®

Range: PRESTO SAFE

Ref: 68077 - Deck-mounted mixer sensor tap - 3l/min



#### > Working pressure :

- 1 to 5 bar

#### > Flow :

- 3 l/min with integrated flow regulator
- High quality anti-limescale aerator
- Anti-water-hammering design

#### > Flow time:

- 7 sec adjustable with PRESTOCOM : <http://www.presto.fr/whatabout/prestocom/>
- Electronic effortless trigger suitable for elderly and disabled people

#### > Hydraulic supply :

- G 3/8" (12x17)

#### > Power supply :

- Integrated 9V lithium battery

#### > Material and colour finish :

- Brass body
- Chrome finishing

#### > Thermal resistance :

- Resistant to a temperature of 75°C for 30 minute thermal shocks

#### > Security :

- One position temperature limiting system to avoid any risk of scalding
- Automatic shutdown of solenoid valve in case of power failure or sensor error
- Duty flush 30 sec each 24h after last use (adjustable flow time and frequency)
- Low battery alert (blinking led light)

#### > Delivered with :

- 1 Brass clamping nut
- 1 Gasket and 1 Washer
- 2 PEX Hoses with revolving nuts and NF check valves
- 2 MM G 3/8" (12x17) Stop valves
- 2 Filter gaskets
- 1 Self-adhesive sticker
- Instruction manual

#### > Standards & approvals :

- Molded chrome-plated body in accordance with EN 12540
- Brass in accordance with NF EN1982, EN12164, EN12165, UBA list compliant
- 200-hour neutral salt spray resistant (NSS) in accordance with NF ISO 9227
- ACS

